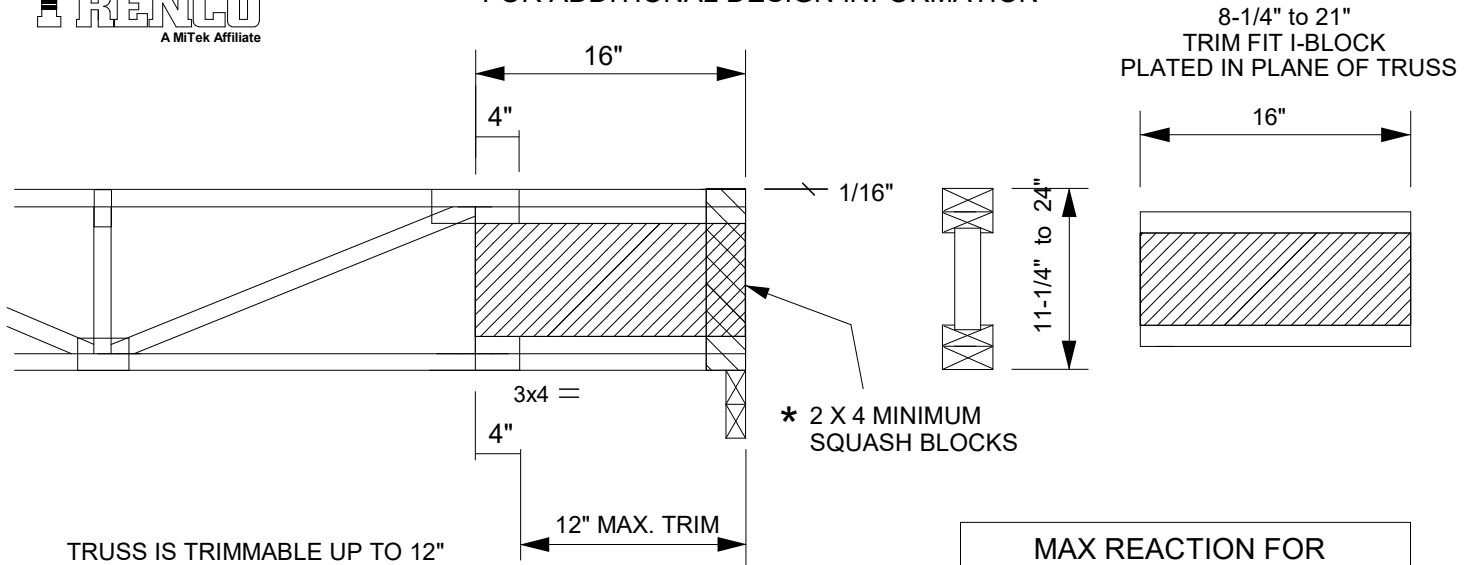




SEE THE MiTek TRUSS DESIGN
REFERENCING THIS DETAIL
FOR ADDITIONAL DESIGN INFORMATION



TRUSS IS TRIMMABLE UP TO 12"

MINIMUM BEARING SIZE IS 1-3/4"

FLANGES ARE SPF (MINIMUM)

Ft 3x2 = 535 psi 4x2 = 382 psi

MAX REACTION FOR 1-3/4" TO 3-1/2" BRG.	
DEPTH	SPF
11-1/4"	1033 lbs
11-7/8"	1129 lbs
12"	1148 lbs
14"	1454 lbs
16" - 24"	1499 lbs

* SQUASH BLOCKS REQUIRED WHEN WALL LOADS FROM ABOVE ARE PRESENT. SQUASH BLOCKS ARE TO BE 1/16" TALLER THAN TRUSS. ATTACH SQUASH BLOCKS TO EACH FACE OF TRUSS WITH THREE 10d (0.131" X 3") NAILS IN EACH END. MAXIMUM WALL LOAD IS 7612 LBS.